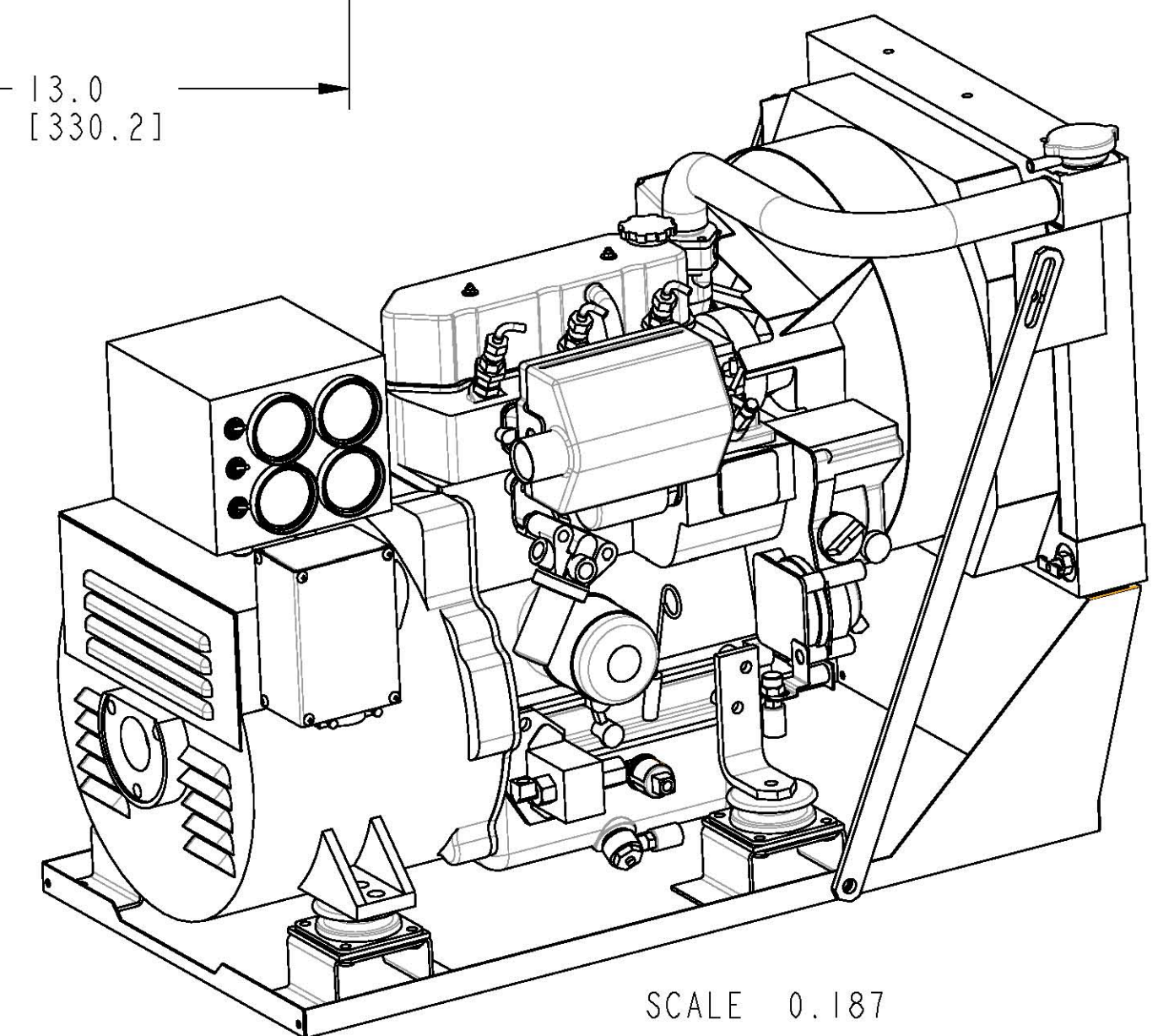
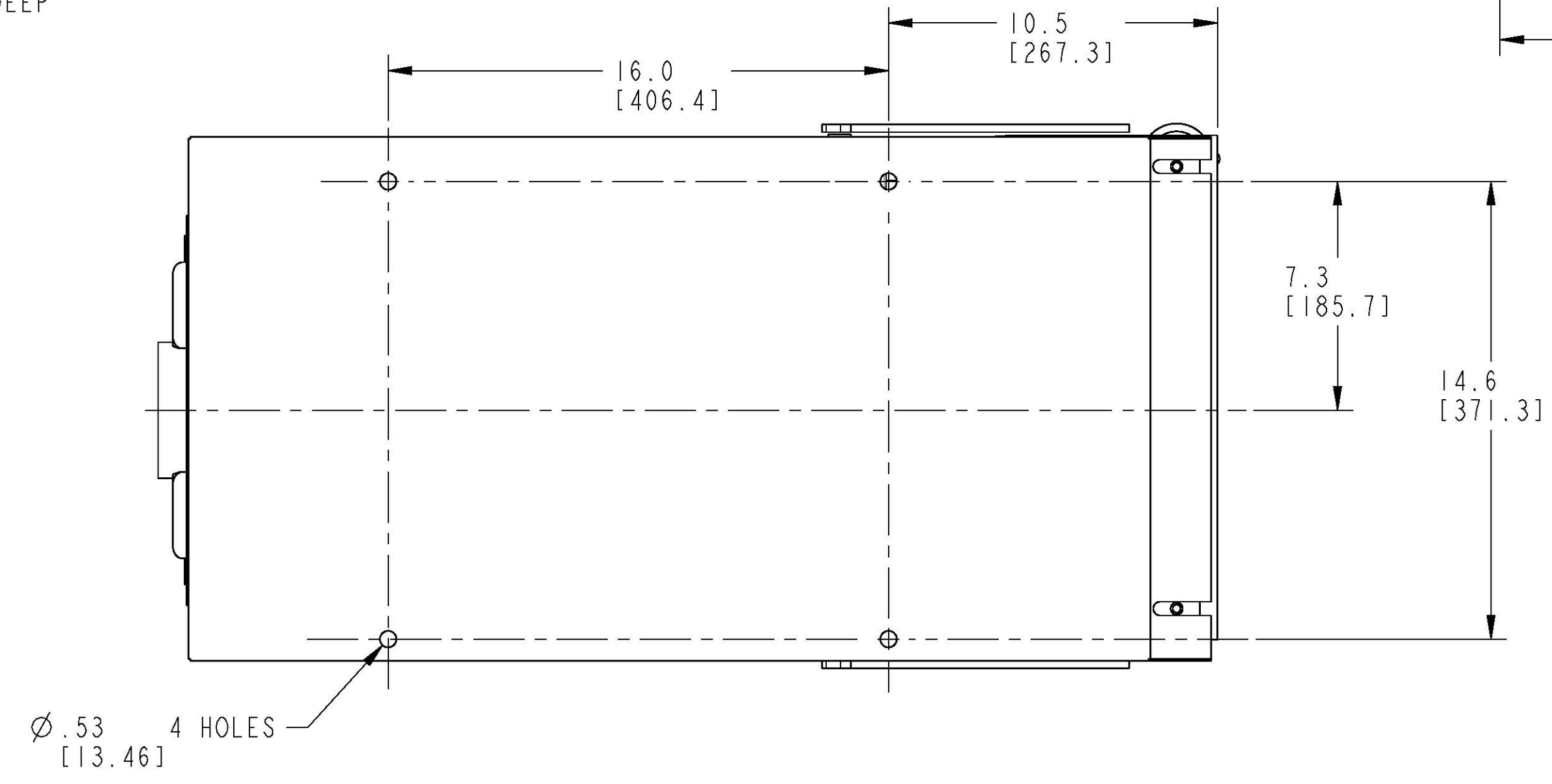
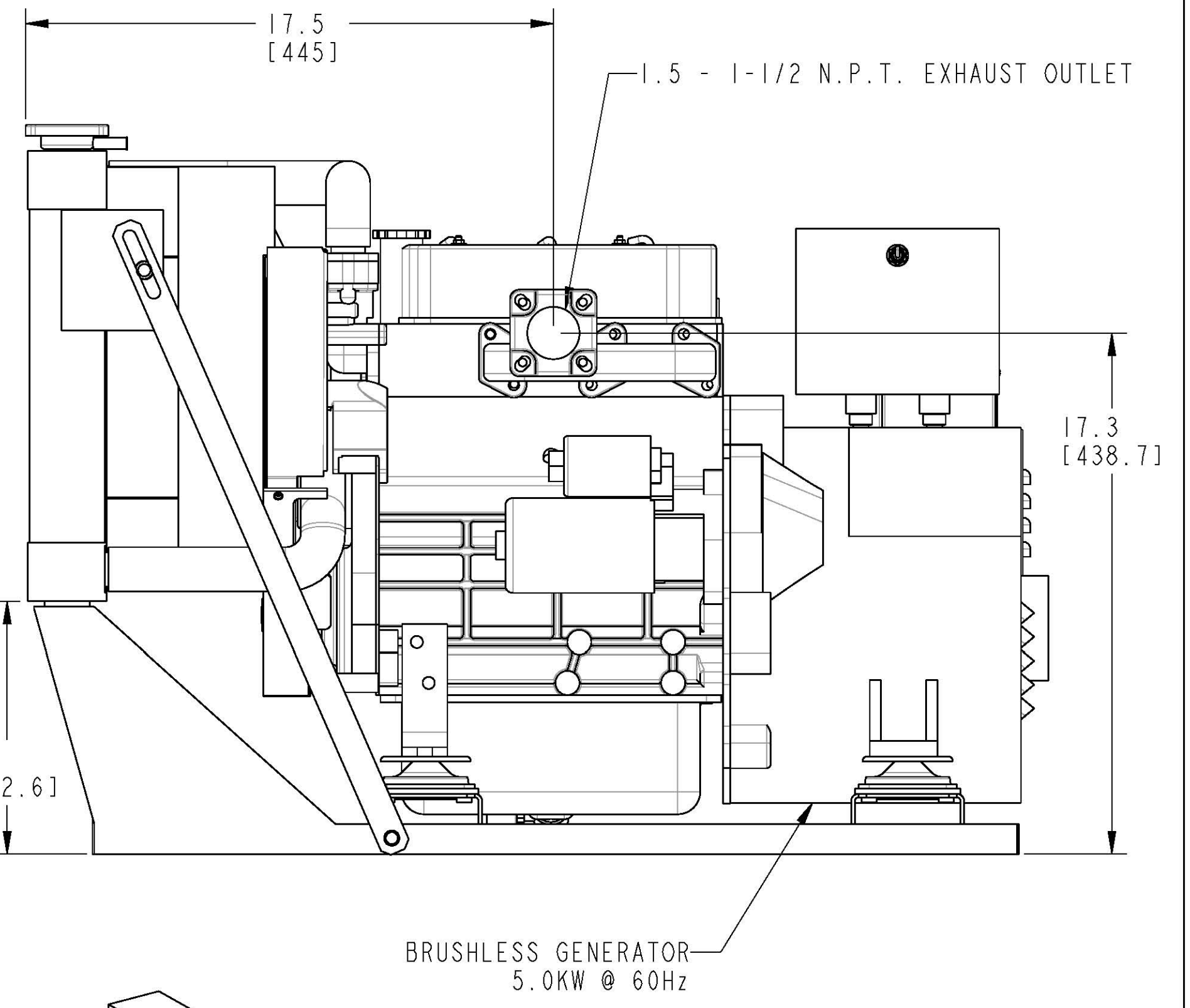
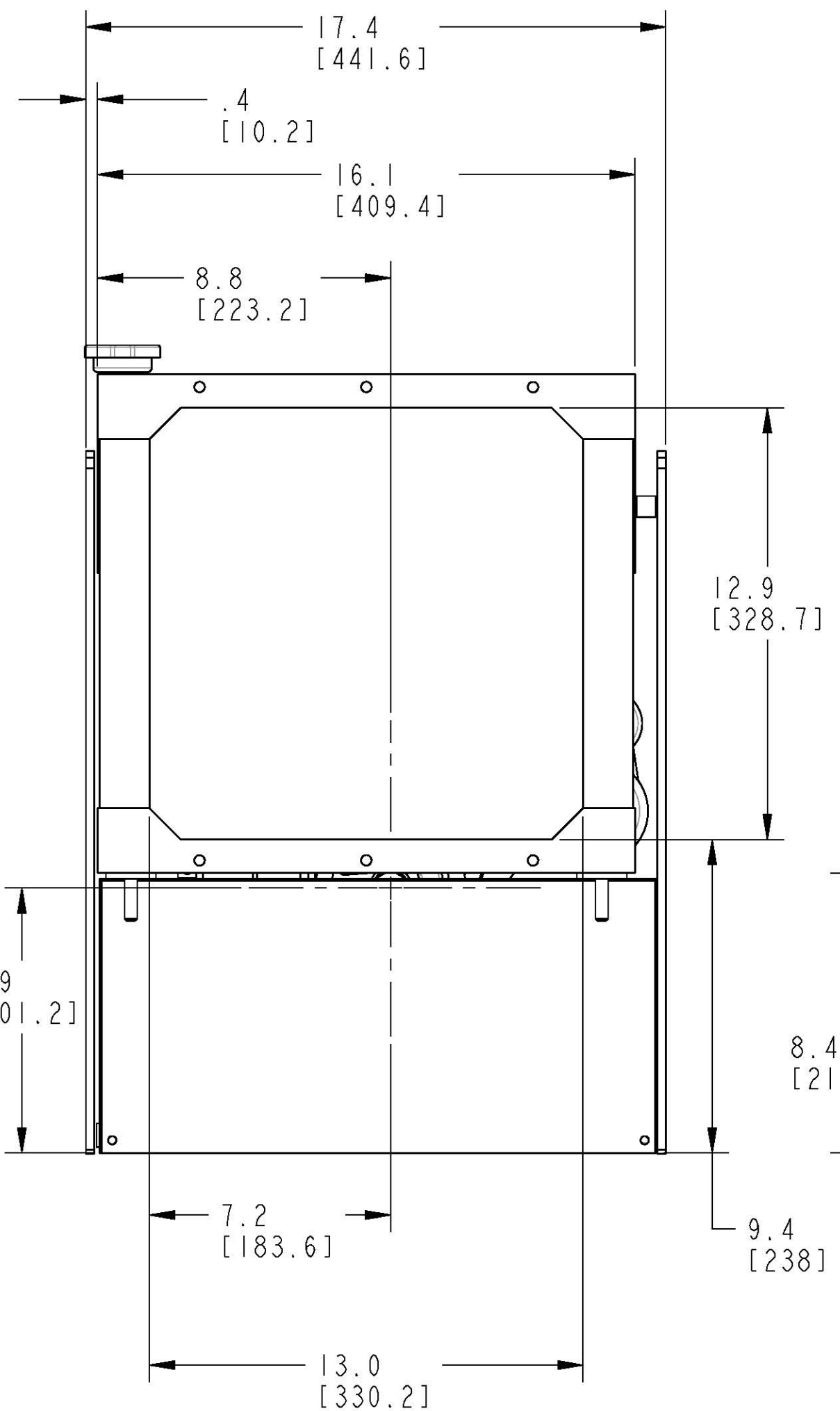
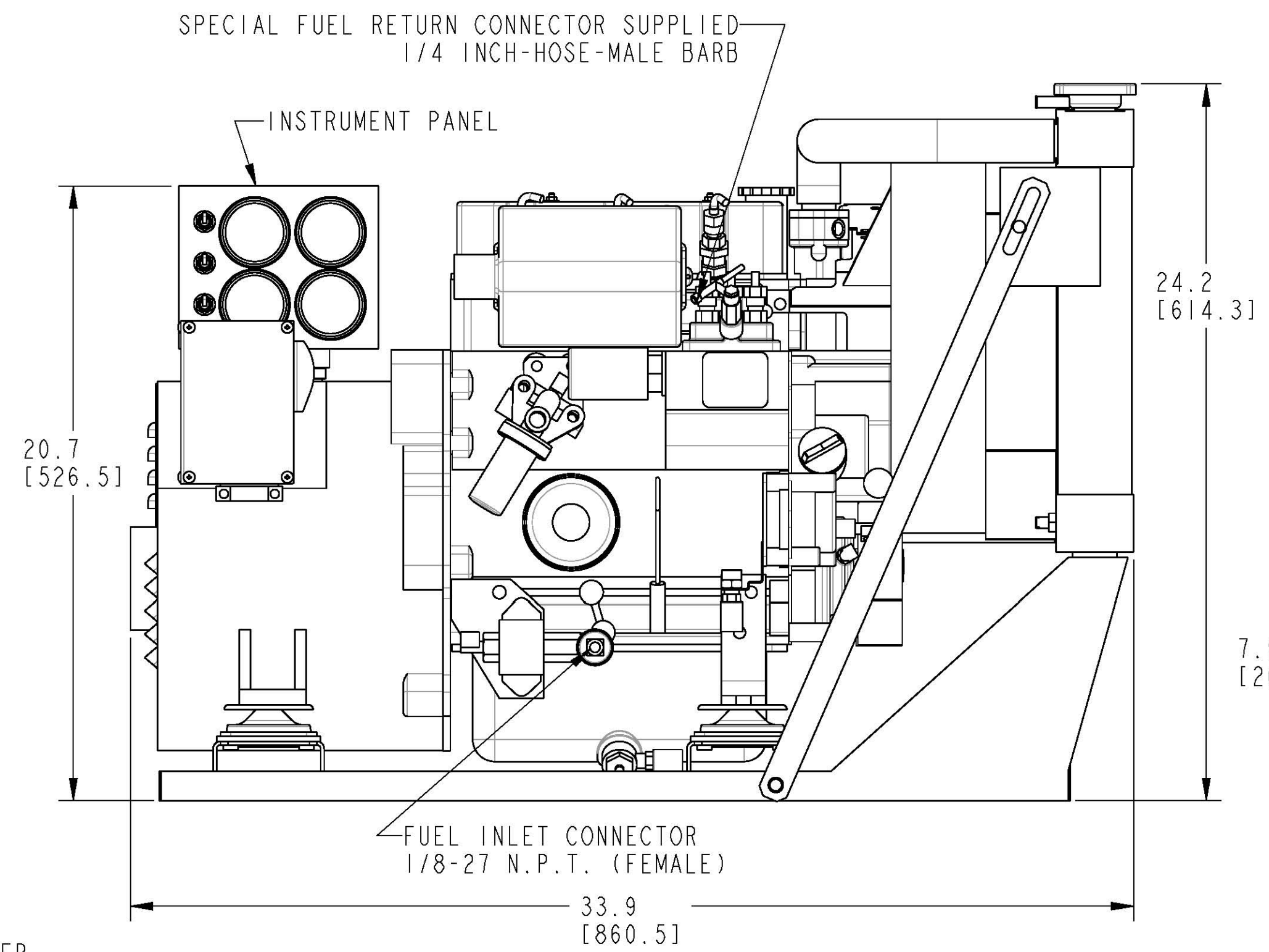
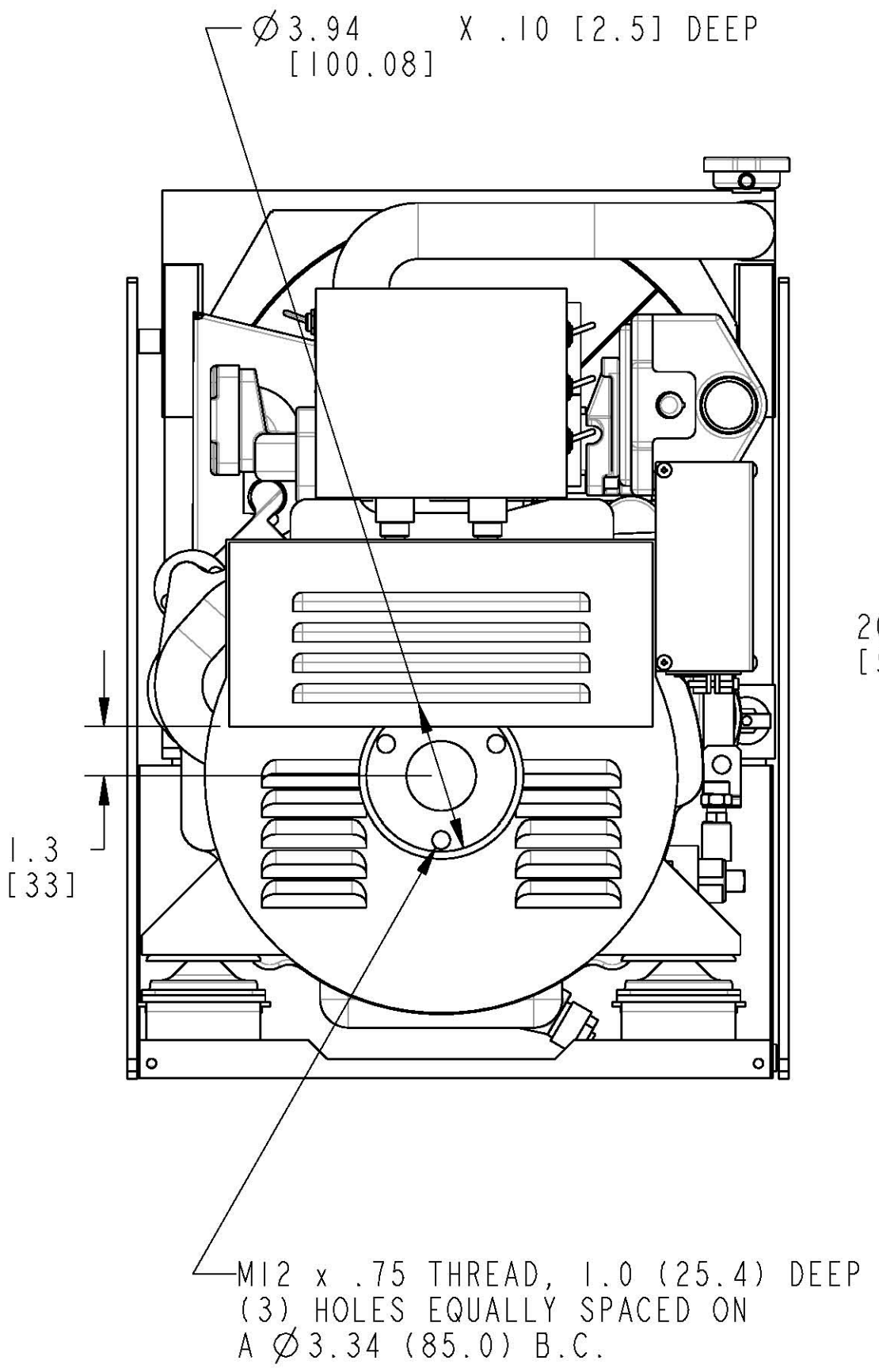
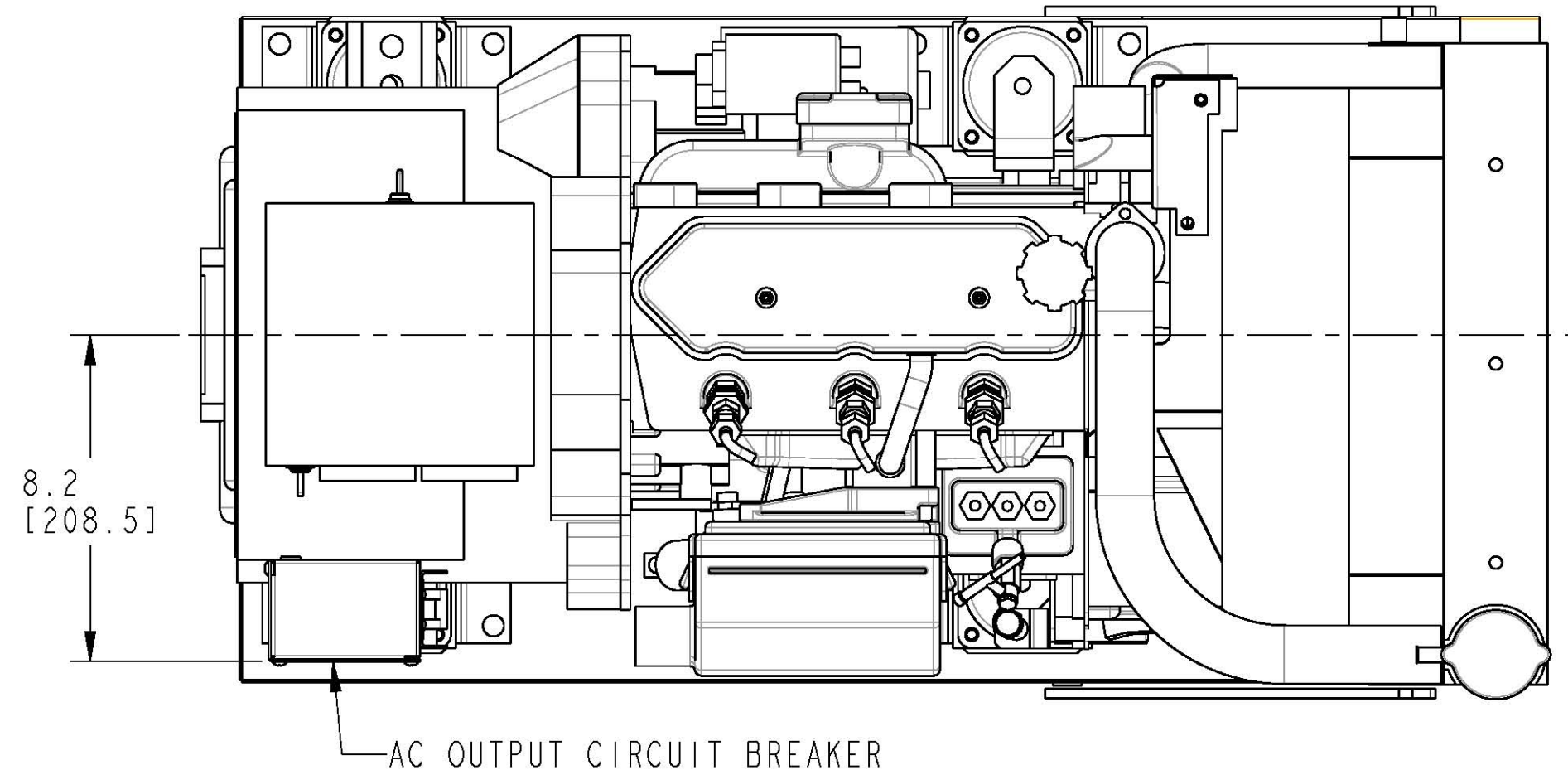


ECO NO.	DATE	REV.	REVISION RECORD	AUTH.	DR. BY
3752	6-1 1998	A	REVISED AND REDRAWN ON D SIZE FORMAT		JM
4327	12-1 1999	B	REVISED BREAKER BOX MOUNTING		JM
5234	3-13 2002	C	ADD DIM. 18.0 IN AND CHANGE TABLE TO NEW D SIZE FORMAT		GA
5346	8-13 02	D	UPDATE ASM TO REFLECT CURRENT BOM CHANGED BCDR TO BCDBR IN TITLE BLOCK		BM
5424	12-12 02	E	ADDED PART #48076 TO ASSEMBLY		BM
6595	1-26 2009	F	UPDATED TITLE BOX WITH 5.5 BCDR		GA



TOLERANCES (UNLESS OTHERWISE NOTED)		WESTERBEKE CORPORATION TAUNTON, MA. 02780	
INCHES	MILLIMETERS	TITLE	DATE
.XX : .02	X. ± 1.0	INSTALLATION DRAWING	16/May/95
.XXX : .005	.X ± .5	5.0 BCDBR, 5.5 BCDR	MATERIAL:
CAST : .03	.XX ± .13		
ANGLES : .5°			
FINISH			
DIMENSIONS		APPROVED BY	DATE
INCHES		WRM	16/May/95
MILLIMETERS			
(WHEN APPLICABLE)		SCALE 0.250	SIZE
		SHT. 1 OF 1	D
		DRAWING NUMBER	REV.
		41127	F